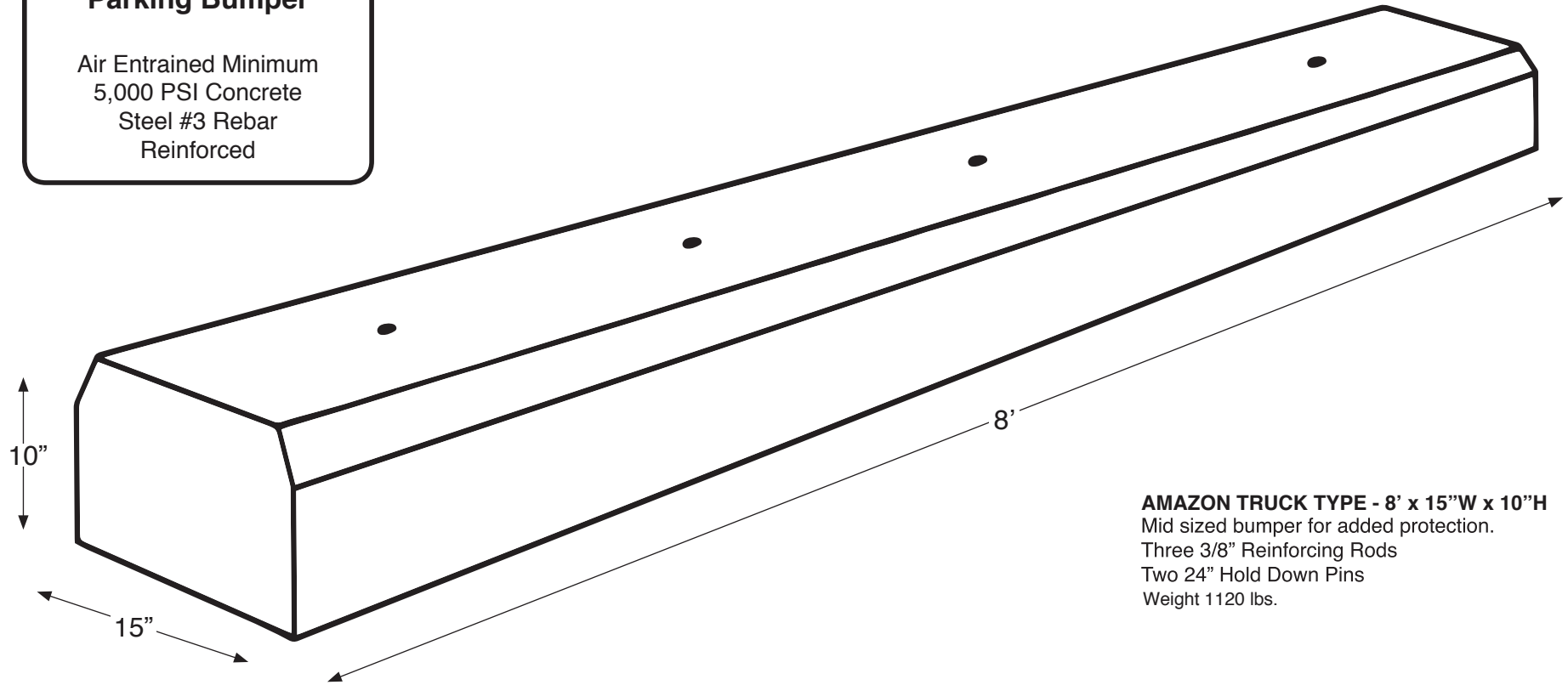


**8' Amazon Truck
American Eagle
Parking Bumper**

Air Entrained Minimum
5,000 PSI Concrete
Steel #3 Rebar
Reinforced



AMAZON TRUCK TYPE - 8' x 15"W x 10"H
Mid sized bumper for added protection.
Three 3/8" Reinforcing Rods
Two 24" Hold Down Pins
Weight 1120 lbs.



AMERICAN EAGLE PRECAST, LLC

17301 Conant Avenue Detroit, MI 48212-1198
Phone: 313-893-6700 Fax: 313-893-5322
www.aeprecast.com