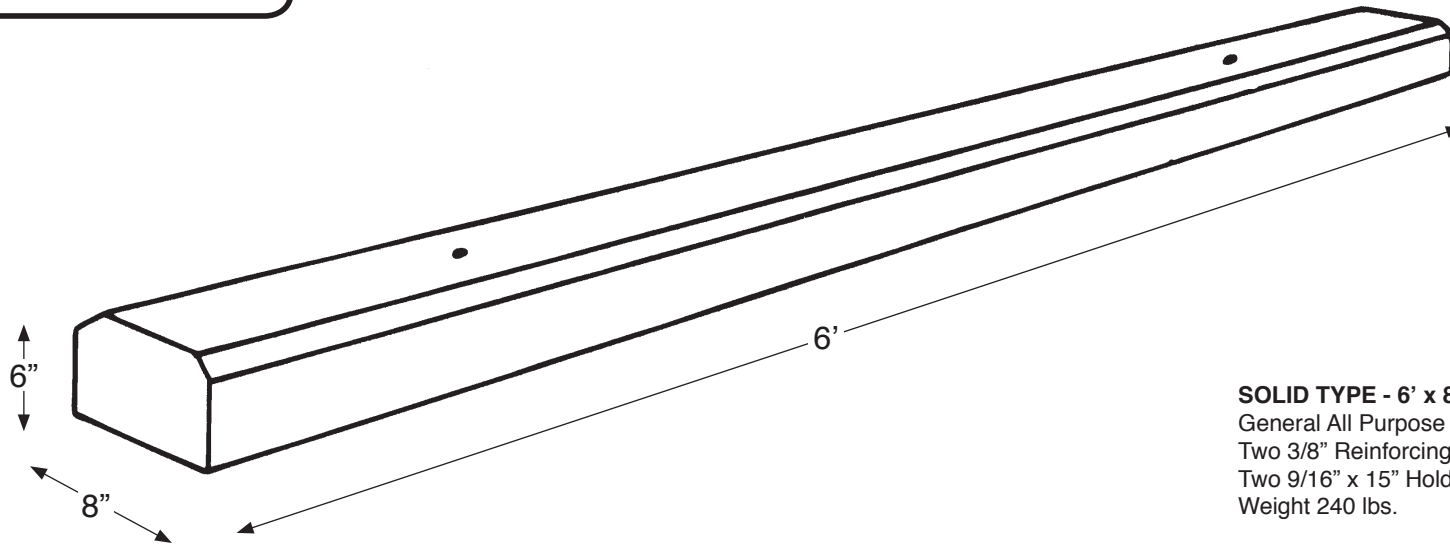


**6' Solid
American Eagle
Parking Bumper**

Air Entrained Minimum
4,000 PSI Concrete
Steel #3 Rebar
Reinforced



SOLID TYPE - 6' x 8"W x 6"H
General All Purpose Bumper
Two 3/8" Reinforcing Rods
Two 9/16" x 15" Hold Down Pins
Weight 240 lbs.



AMERICAN EAGLE PRECAST, LLC

17301 Conant Avenue Detroit, MI 48212-1198

Phone: 313-893-6700 Fax: 313-893-5322

www.aeprecast.com