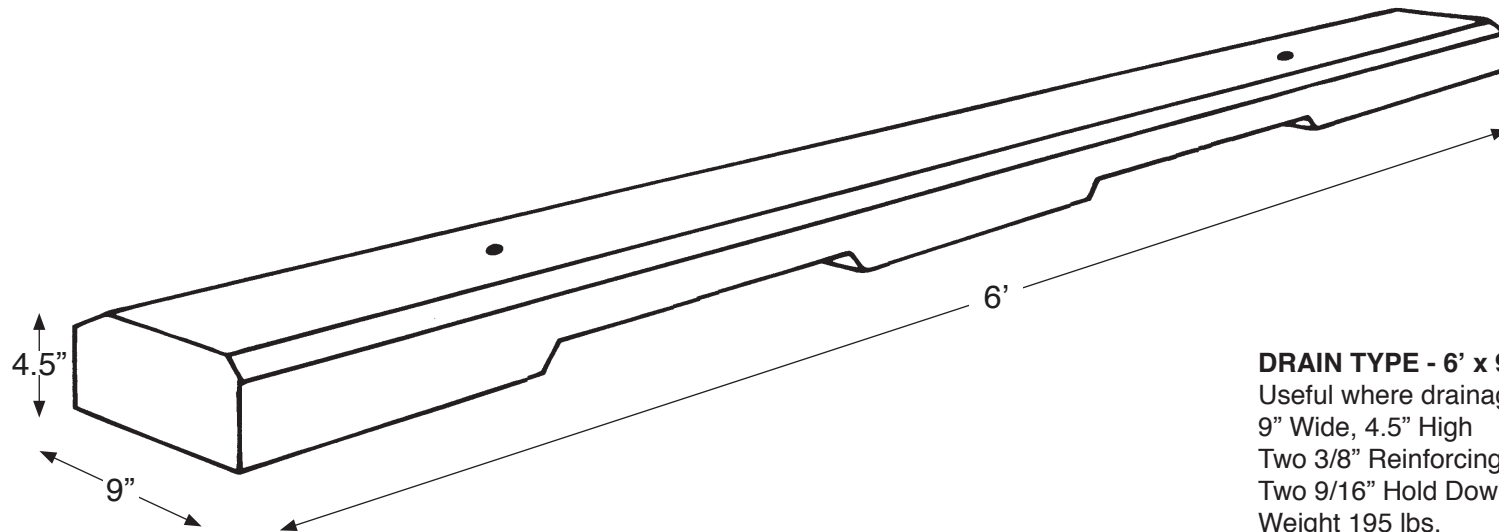


**6' Drain 4.5" High
American Eagle
Parking Bumper**

Air Entrained Minimum
4,000 PSI Concrete
Steel #3 Rebar
Reinforced



DRAIN TYPE - 6' x 9"W x 4.5"H
Useful where drainage is an issue.
9" Wide, 4.5" High
Two 3/8" Reinforcing Rods
Two 9/16" Hold Down Pins
Weight 195 lbs.



AMERICAN EAGLE PRECAST, LLC

17301 Conant Avenue Detroit, MI 48212-1198

Phone: 313-893-6700 Fax: 313-893-5322

www.aeprecast.com