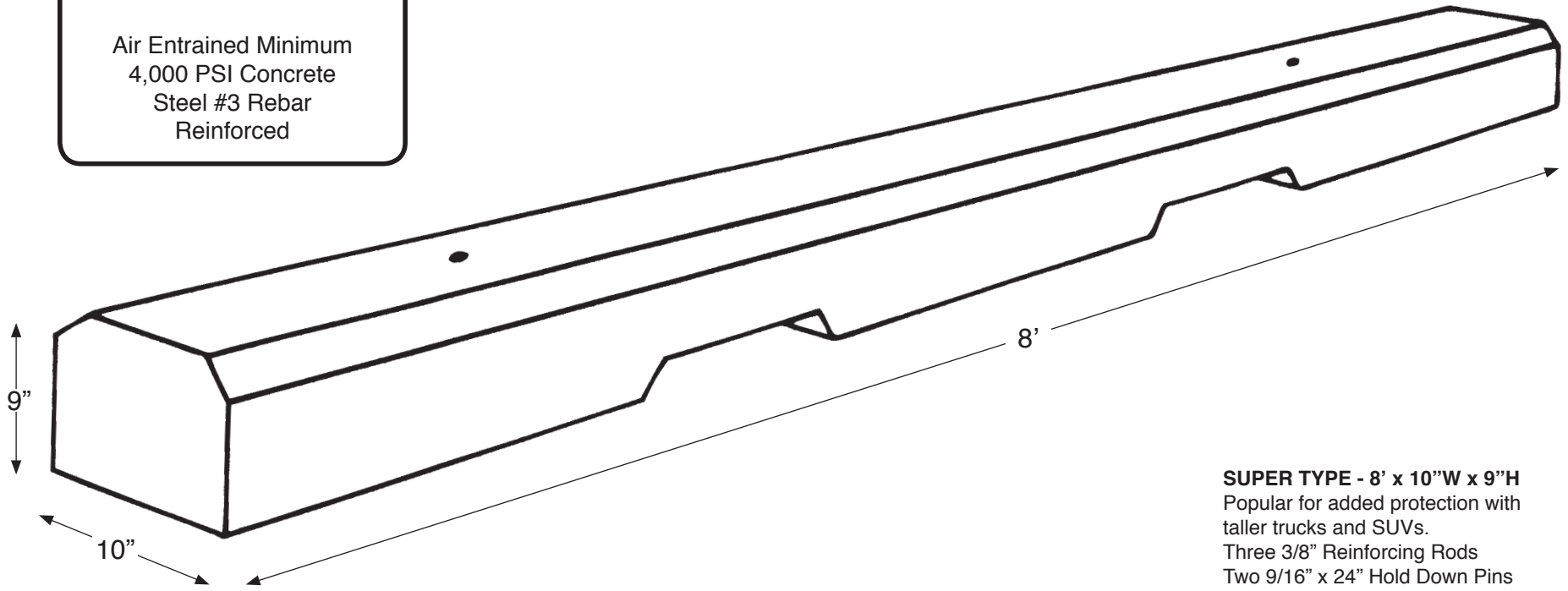


**8' Super 9" High
American Eagle
Parking Bumper**

Air Entrained Minimum
4,000 PSI Concrete
Steel #3 Rebar
Reinforced



SUPER TYPE - 8' x 10"W x 9"H
Popular for added protection with
taller trucks and SUVs.
Three 3/8" Reinforcing Rods
Two 9/16" x 24" Hold Down Pins
Weight 500 lbs.



AMERICAN EAGLE PRECAST, LLC

17301 Conant Avenue Detroit, MI 48212-1198
Phone: 313-893-6700 Fax: 313-893-5322
www.aeprecast.com