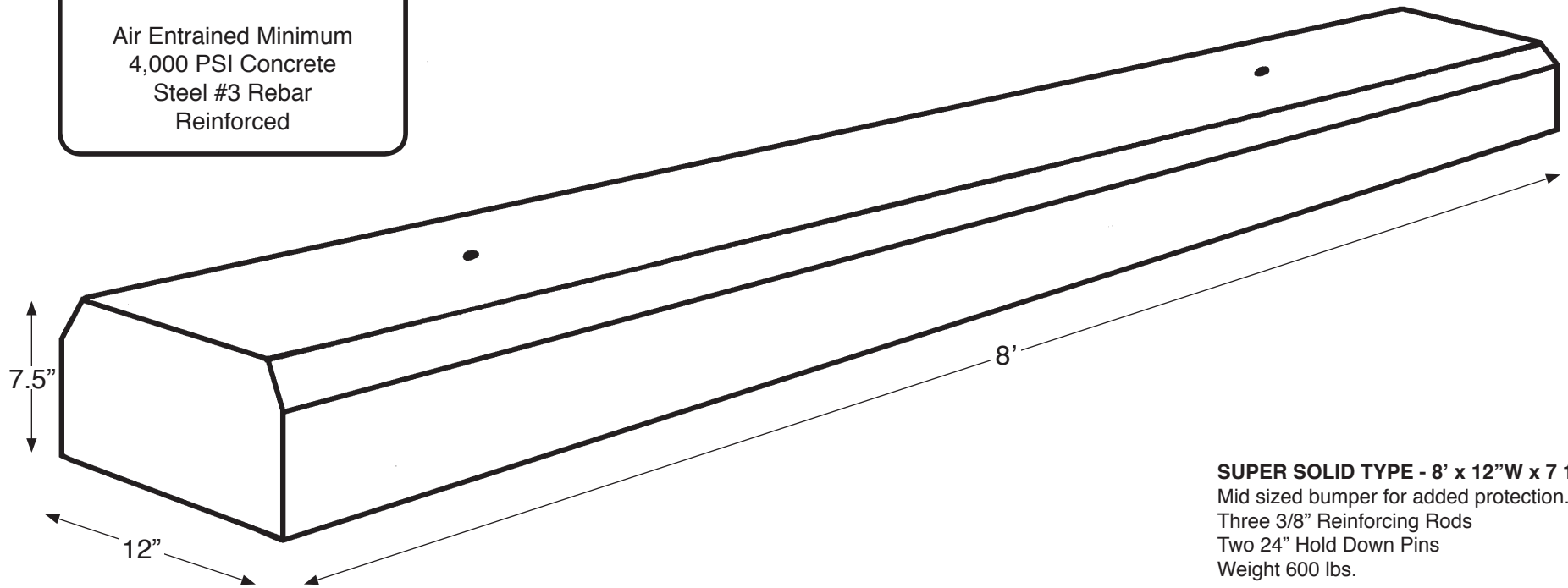


**8' Super Solid  
American Eagle  
Parking Bumper**

Air Entrained Minimum  
4,000 PSI Concrete  
Steel #3 Rebar  
Reinforced



**SUPER SOLID TYPE - 8' x 12"W x 7 1/2"H**  
Mid sized bumper for added protection.  
Three 3/8" Reinforcing Rods  
Two 24" Hold Down Pins  
Weight 600 lbs.



**AMERICAN EAGLE PRECAST, LLC**

17301 Conant Avenue Detroit, MI 48212-1198  
Phone: 313-893-6700 Fax: 313-893-5322  
[www.aeprecast.com](http://www.aeprecast.com)