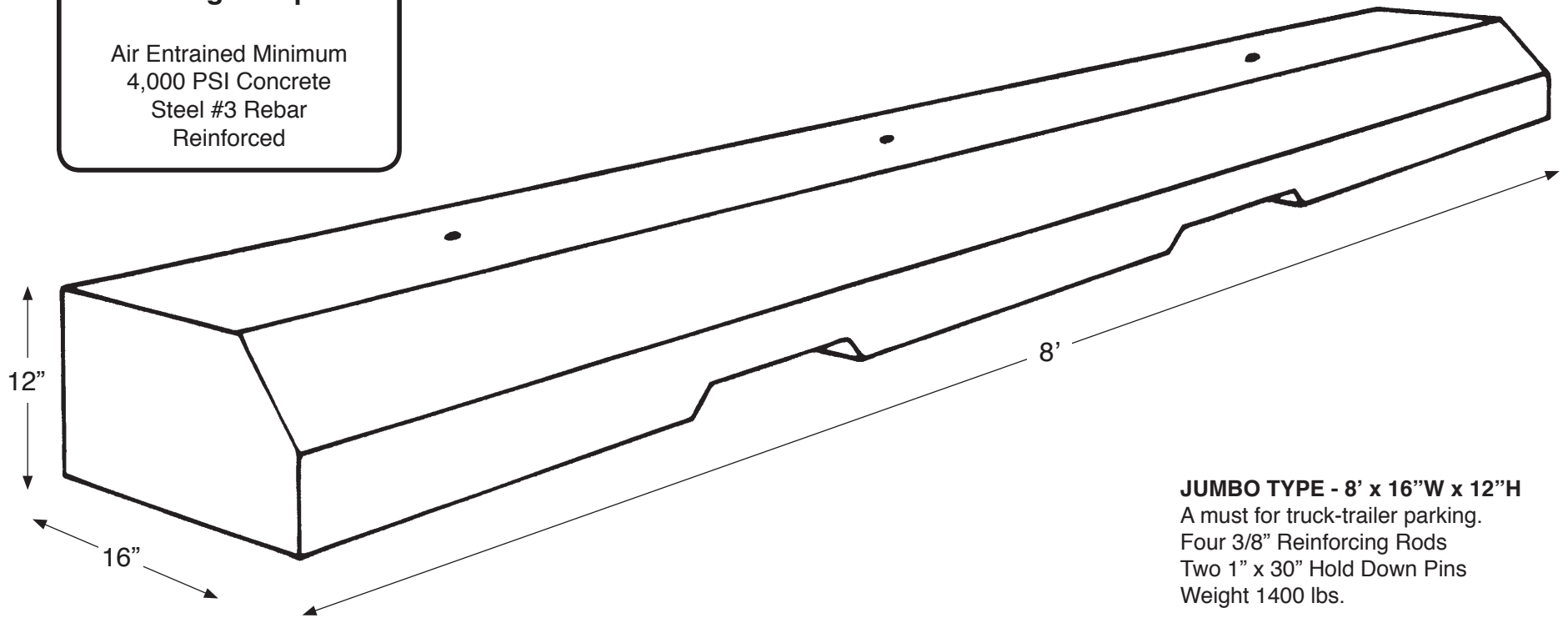


**8' Jumbo
American Eagle
Parking Bumper**

Air Entrained Minimum
4,000 PSI Concrete
Steel #3 Rebar
Reinforced



JUMBO TYPE - 8' x 16"W x 12"H
A must for truck-trailer parking.
Four 3/8" Reinforcing Rods
Two 1" x 30" Hold Down Pins
Weight 1400 lbs.



AMERICAN EAGLE PRECAST, LLC

17301 Conant Avenue Detroit, MI 48212-1198
Phone: 313-893-6700 Fax: 313-893-5322
www.aeprecast.com