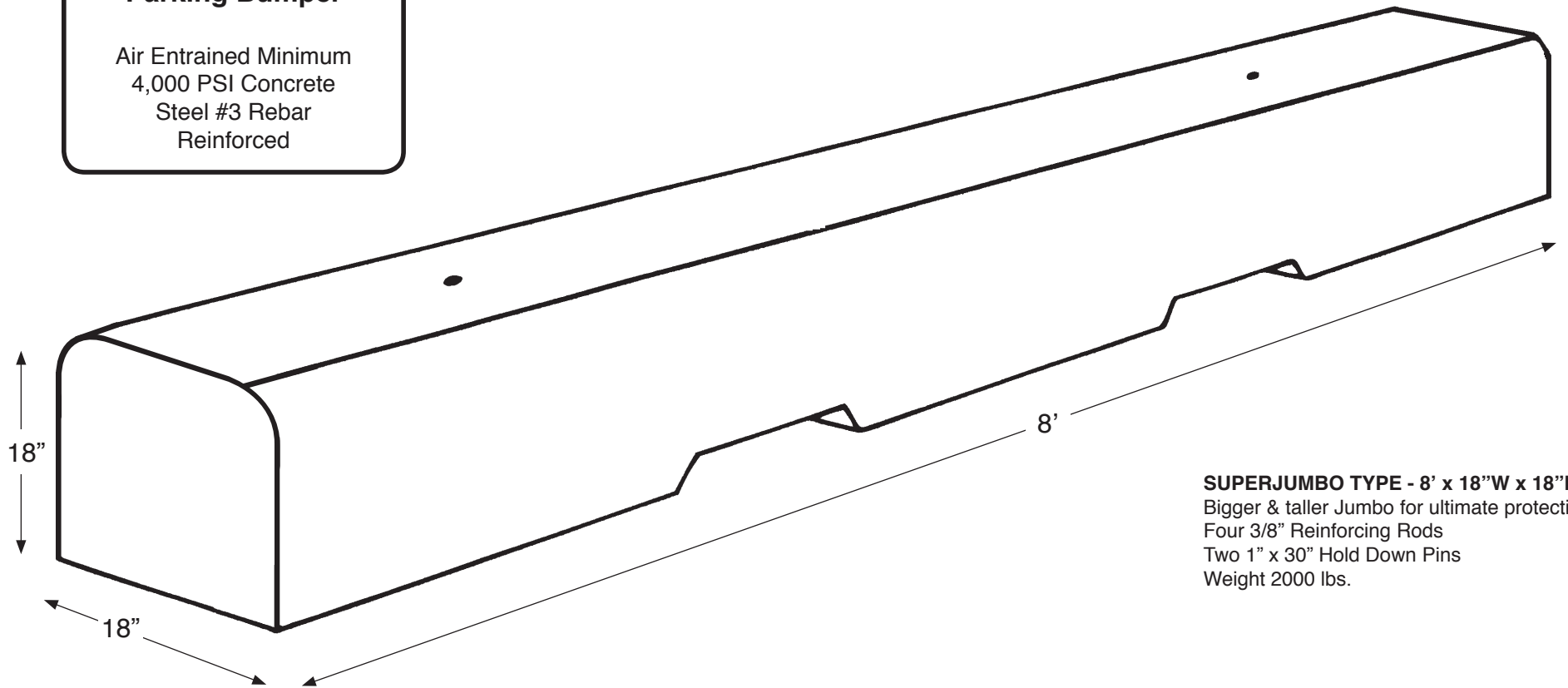


**8' Super Jumbo
American Eagle
Parking Bumper**

Air Entrained Minimum
4,000 PSI Concrete
Steel #3 Rebar
Reinforced



SUPERJUMBO TYPE - 8' x 18"W x 18"H
Bigger & taller Jumbo for ultimate protection.
Four 3/8" Reinforcing Rods
Two 1" x 30" Hold Down Pins
Weight 2000 lbs.



AMERICAN EAGLE PRECAST, LLC

17301 Conant Avenue Detroit, MI 48212-1198

Phone: 313-893-6700 Fax: 313-893-5322

www.aeprecast.com